

EMC clamp assembly for screw assembly

with or without integrated strain relief



EMC clamp assemblies are used, where the shield of several cables must be connected to the earth potential. They are easy to use and enable effective earthing and strain relief of up to 12 cables in a small space. There are different carriers available which can be user configured with up to 12 SKL or MSKL shield clamps. The shield clamps are mounted directly on the surface of the clamp assembly which guarantees a tight fit.

When using types with integrated strain relief cables can be fixed via the cable jacket using cable ties. Thus strain relief in accordance with EN 62444 is achieved.

The EMC shield clamps as listed below are available to mount:

SKL 1.5-3 | SKL 3-6 | SKL 6-8 | SKL 8-11
MSKL 3-12

The SKL shield clamps are assembled in a row, the MSKL shield clamps are assembled in a staggered double-row which enables an ideal and space-saving arrangement.

The clamp assembly is easily attached to mounting plates via screw.

Configure your individual clamp assembly with the icotek EMC Configurator!

Specifications

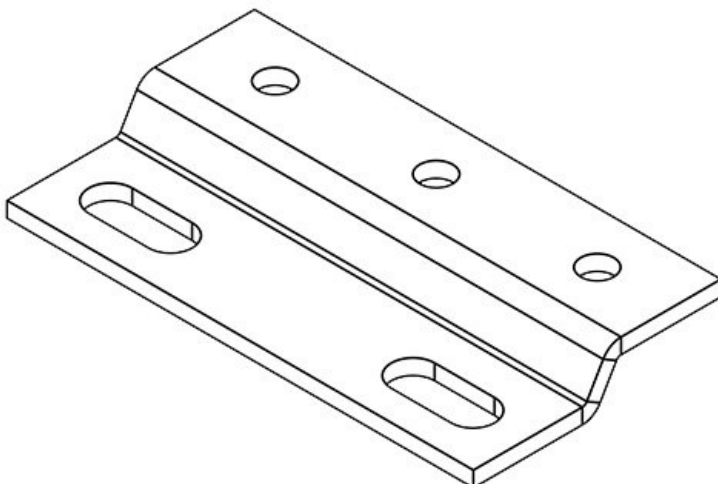
Material	Shield clamp: Spring steel, zinc plated Snap foot: Spring steel Mounting foot: Mild steel, galvanically zinc plated
Properties	vibration proof
Mounting options	Screw type mounting

Advantages & benefits

- Large contact area
- Shield contact and strain relief separated
- Easy assembly and removal
- The spring design requires no adjustments and will permanently maintain contact to the cable shield
- Shock and vibration resistant, maintenance free
- Designed for high density applications
- Possibility to configure custom specific EMC clamp assemblies

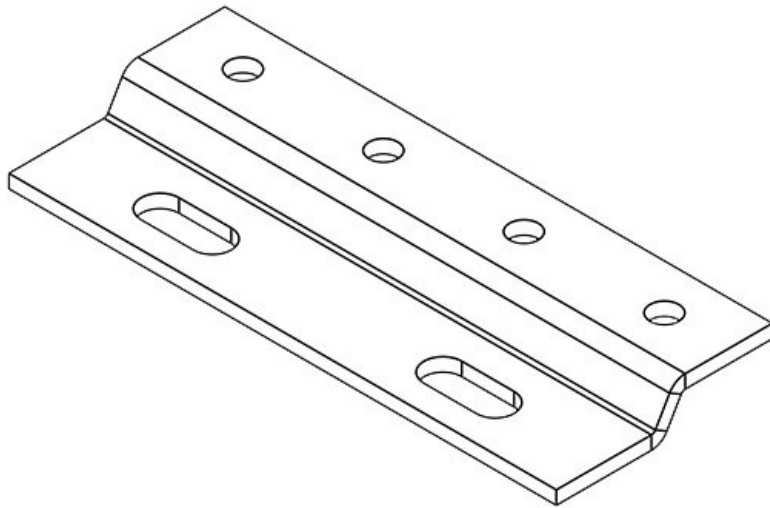
Product types & sizes

RLF (x3)



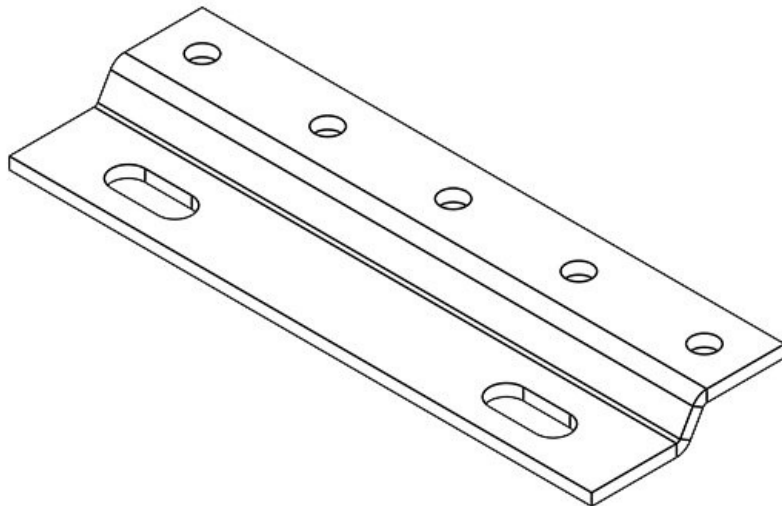
Part No.	36965	Strain relief function	No
EAN	4251269305	Width	24 mm
	191	Height	5,5 mm
Package quantity	1	Mounting height	5,5 mm
Shield clamp type	SKL	Hole size	M4
For no. of shield clamps	3	No. of screw holes	2
For max. no. of cables	3	Diam. of screw holes	4,2 mm
Length	46,2 mm		

RLF (x4)



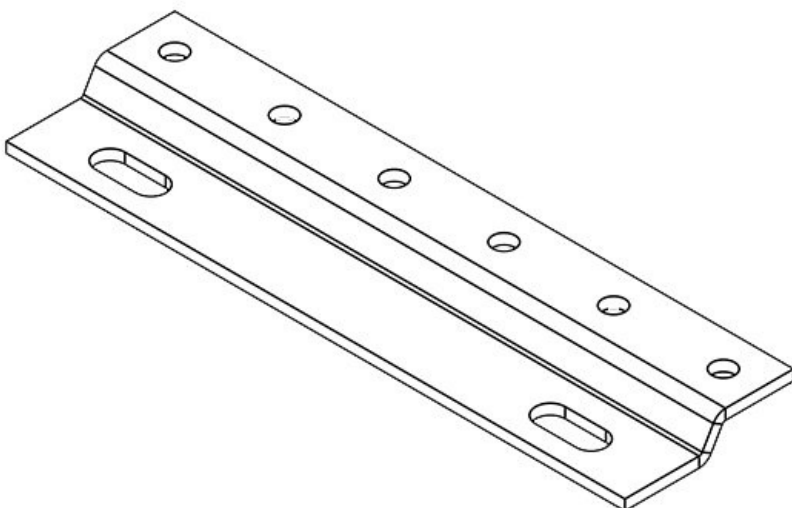
Part No.	36984	Strain relief function	No
EAN	4251269305	Width	24 mm
	207	Height	5,5 mm
Package quantity	1	Mounting height	5,5 mm
Shield clamp type	SKL	Hole size	M4
For no. of shield clamps	4	No. of screw holes	2
For max. no. of cables	4	Diam. of screw holes	4,2 mm
Length	60,8 mm		

RLF (x5)



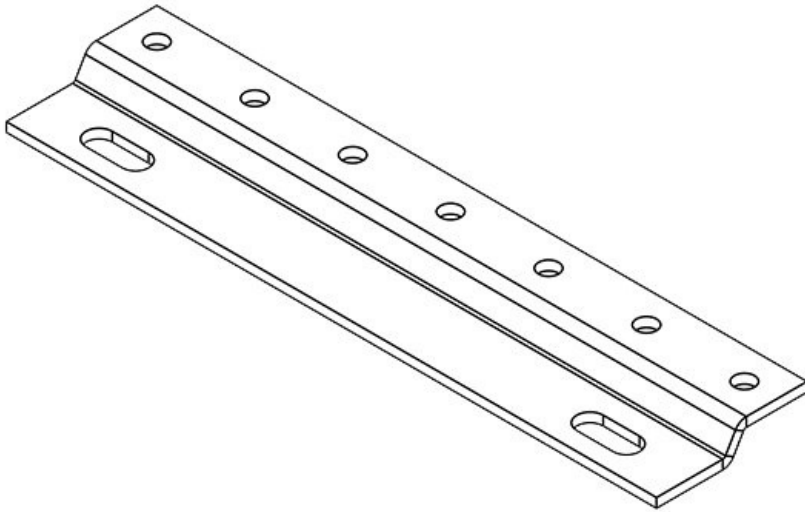
Part No.	36958	Strain relief function	No
EAN	4251269305	Width	24 mm
	160	Height	5,5 mm
Package quantity	1	Mounting height	5,5 mm
Shield clamp type	SKL	Hole size	M4
For no. of shield clamps	5	No. of screw holes	2
For max. no. of cables	5	Diam. of screw holes	4,2 mm
Length	72,4 mm		

RLF (x6)



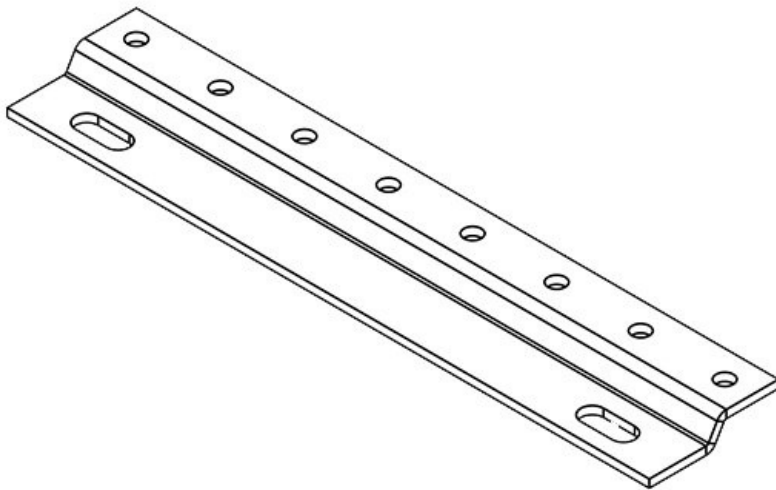
Part No.	36952	Strain relief function	No
EAN	4251269305	Width	24 mm
	122	Height	5,5 mm
Package quantity	1	Mounting height	5,5 mm
Shield clamp type	SKL	Hole size	M4
For no. of shield clamps	6	No. of screw holes	2
For max. no. of cables	6	Diam. of screw holes	4,2 mm
Length	88 mm		

RLF (x7)



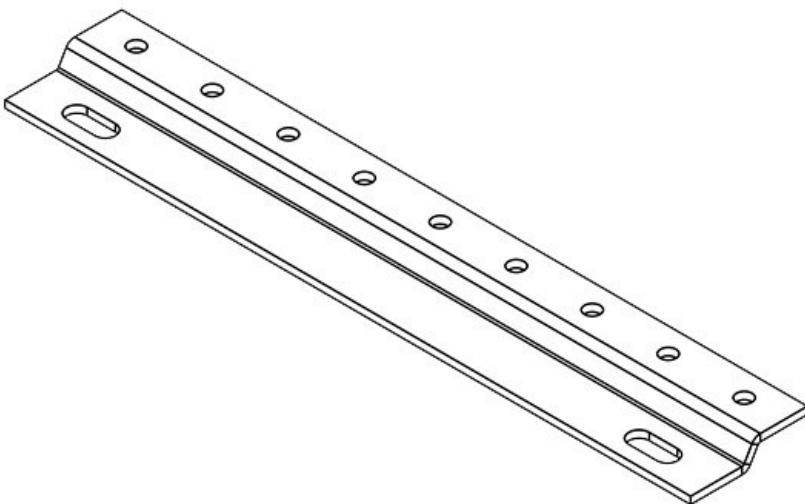
Part No.	36963	Strain relief function	No
EAN	4251269305	Width	24 mm
	184	Height	5,5 mm
Package quantity	1	Mounting height	5,5 mm
Shield clamp type	SKL	Hole size	M4
For no. of shield clamps	7	No. of screw holes	2
For max. no. of cables	7	Diam. of screw holes	4,2 mm
Length	103,6 mm		

RLF (x8)



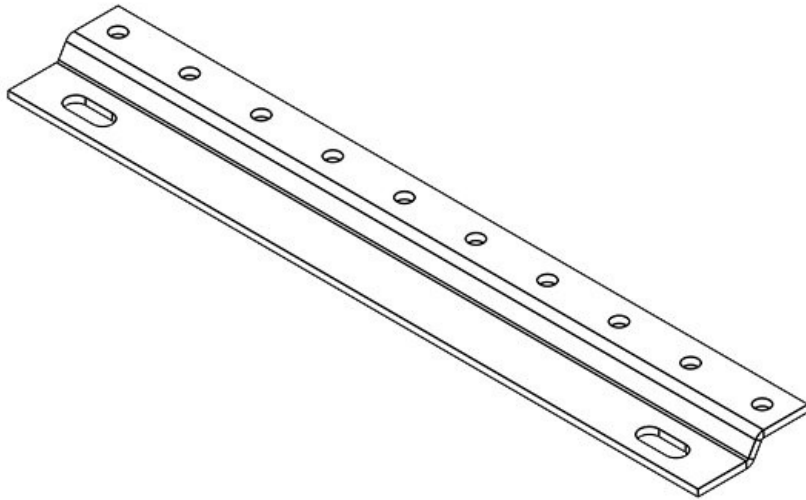
Part No.	36953	Strain relief function	No
EAN	4251269305	Width	24 mm
	139	Height	5,5 mm
Package quantity	1	Mounting height	5,5 mm
Shield clamp type	SKL	Hole size	M4
For no. of shield clamps	8	No. of screw holes	2
For max. no. of cables	8	Diam. of screw holes	4,2 mm
Length	119,2 mm		

RLF (x9)



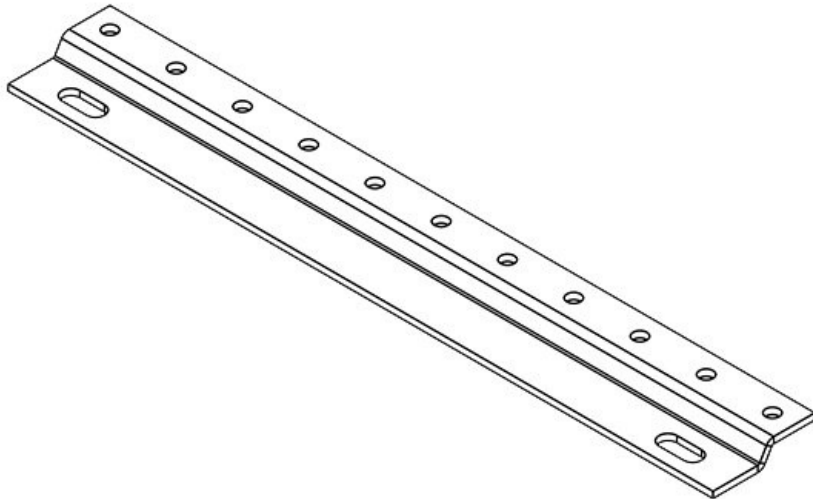
Part No.	36985	Strain relief function	No
EAN	4251269305	Width	24 mm
	214	Height	5,5 mm
Package quantity	1	Mounting height	5,5 mm
Shield clamp type	SKL	Hole size	M4
For no. of shield clamps	9	No. of screw holes	2
For max. no. of cables	9	Diam. of screw holes	4,2 mm
Length	140,8 mm		

RLF (x10)



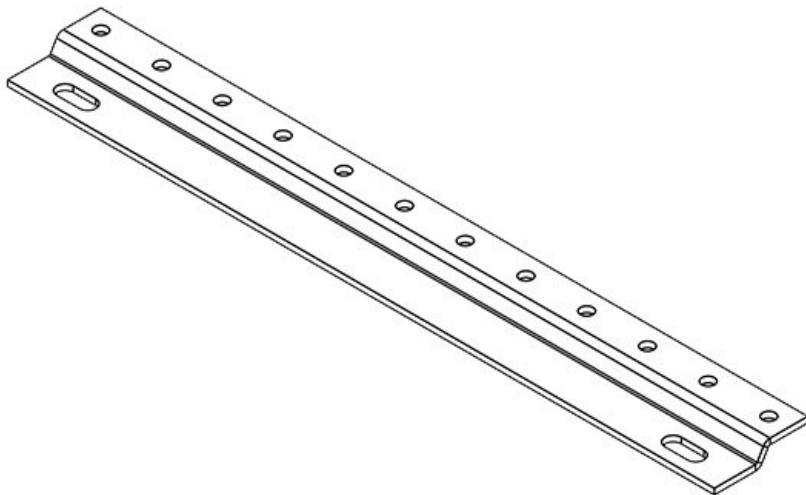
Part No.	36954	Strain relief function	No
EAN	4251269305	Width	24 mm
	146	Height	5,5 mm
Package quantity	1	Mounting height	5,5 mm
Shield clamp type	SKL	Hole size	M4
For no. of shield clamps	10	No. of screw holes	2
For max. no. of cables	10	Diam. of screw holes	4,2 mm
Length	150,4 mm		

RLF (x11)

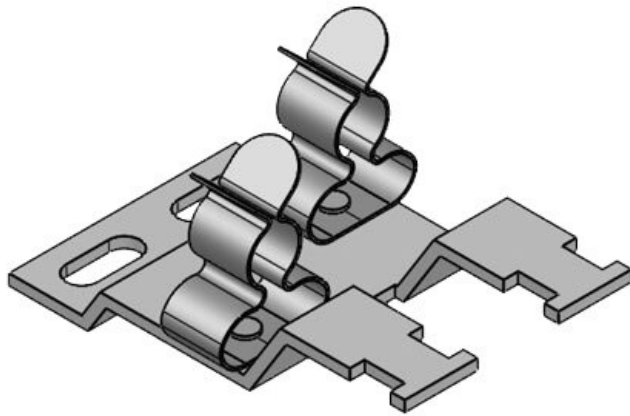


Part No.	36955	Strain relief function	No
EAN	4251269305	Width	24 mm
	153	Height	5,5 mm
Package quantity	1	Mounting height	5,5 mm
Shield clamp type	SKL	Hole size	M4
For no. of shield clamps	11	No. of screw holes	2
For max. no. of cables	11	Diam. of screw holes	4,2 mm
Length	166 mm		

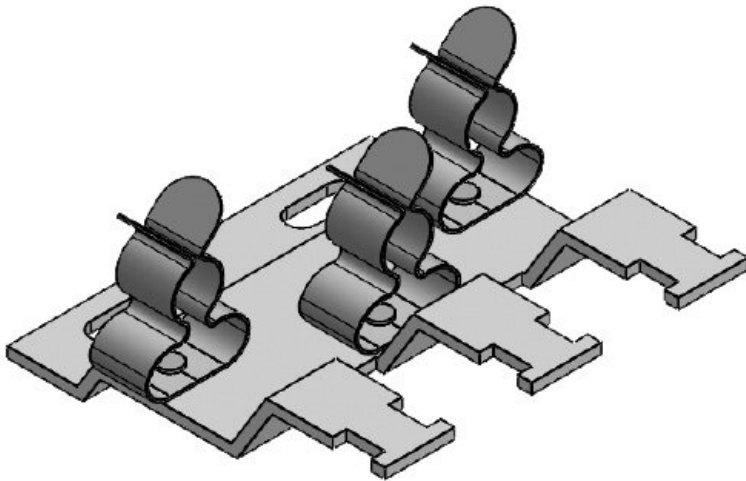
RLF (x12)



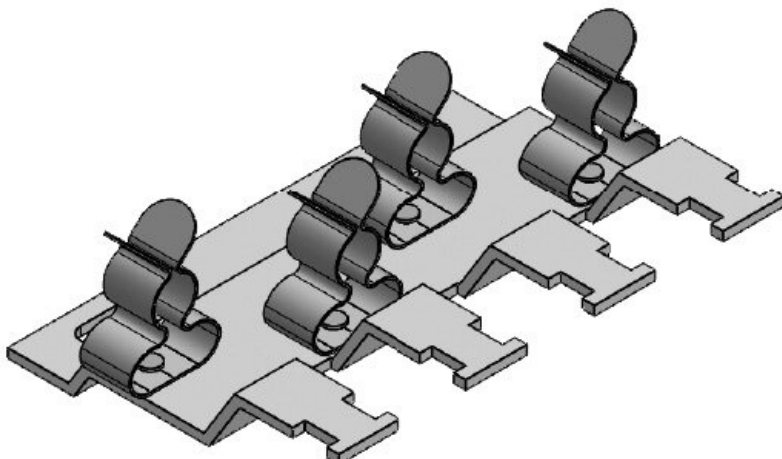
Part No.	36962	Strain relief function	No
EAN	4251269305	Width	24 mm
	177	Height	5,5 mm
Package quantity	1	Mounting height	5,5 mm
Shield clamp type	SKL	Hole size	M4
For no. of shield clamps	12	No. of screw holes	2
For max. no. of cables	12	Diam. of screw holes	4,2 mm
Length	181,6 mm		

RLFZ-M (x2)

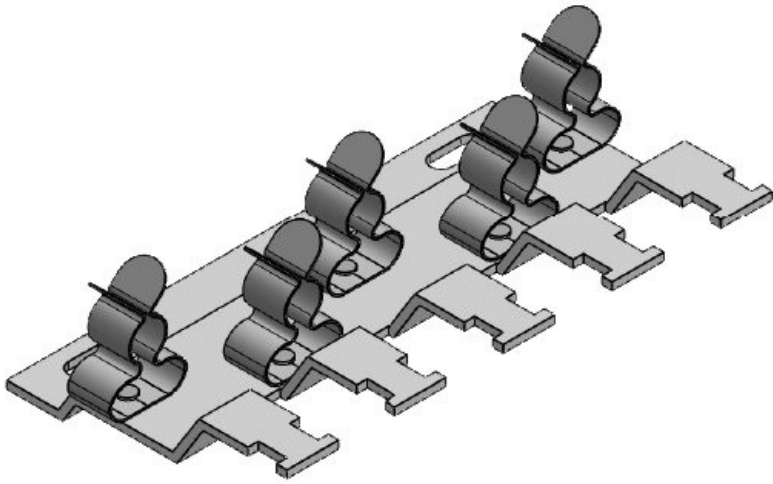
Part No.	38069.002	Strain relief function	Yes
EAN	4251269322	Width	54,1 mm
	310	Height	14,2 mm
Package quantity	1	Mounting height	14,2 mm
Shield clamp type	MSKL	Hole size	M4
For no. of shield clamps	2	No. of screw holes	2
For max. no. of cables	2	Diam. of screw holes	4,2 mm
Length	36 mm		

RLFZ-M (x3)

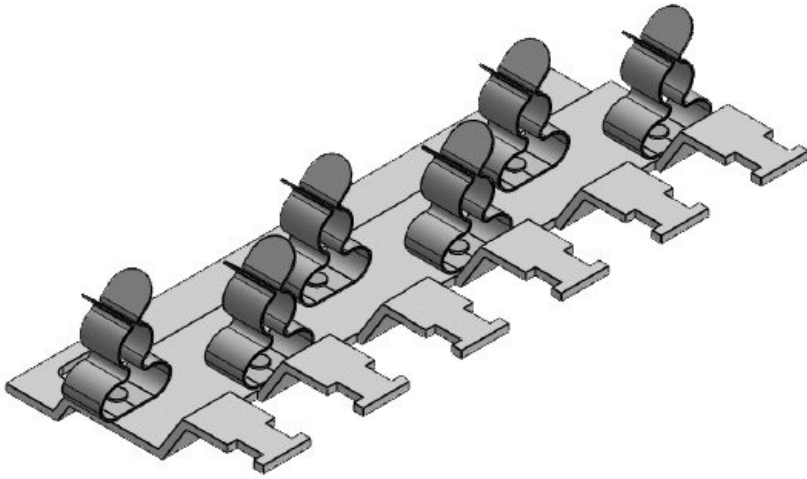
Part No.	38070.002	Strain relief function	Yes
EAN	4251269318	Width	54,1 mm
	016	Height	14,2 mm
Package quantity	1	Mounting height	14,2 mm
Shield clamp type	MSKL	Hole size	M4
For no. of shield clamps	3	No. of screw holes	2
For max. no. of cables	3	Diam. of screw holes	4,2 mm
Length	52 mm		

RLFZ-M (x4)

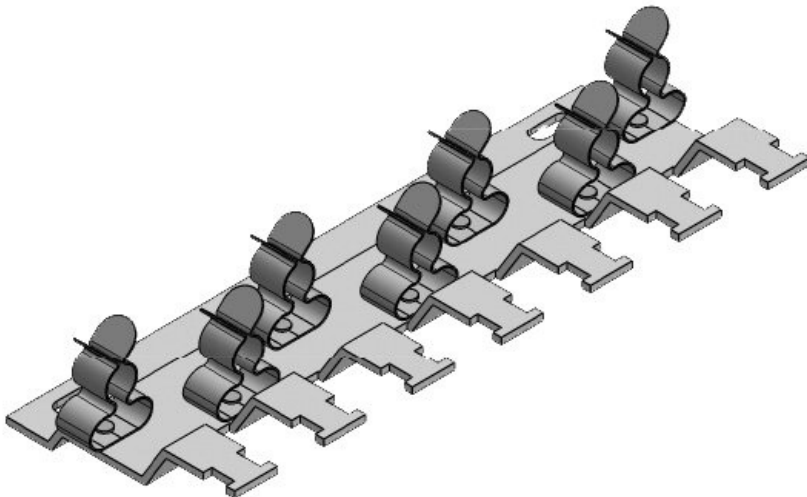
Part No.	38071.002	Strain relief function	Yes
EAN	4251269318	Width	54,1 mm
	023	Height	14,2 mm
Package quantity	1	Mounting height	14,2 mm
Shield clamp type	MSKL	Hole size	M4
For no. of shield clamps	4	No. of screw holes	2
For max. no. of cables	4	Diam. of screw holes	4,2 mm
Length	73 mm		

RLFZ-M (x5)

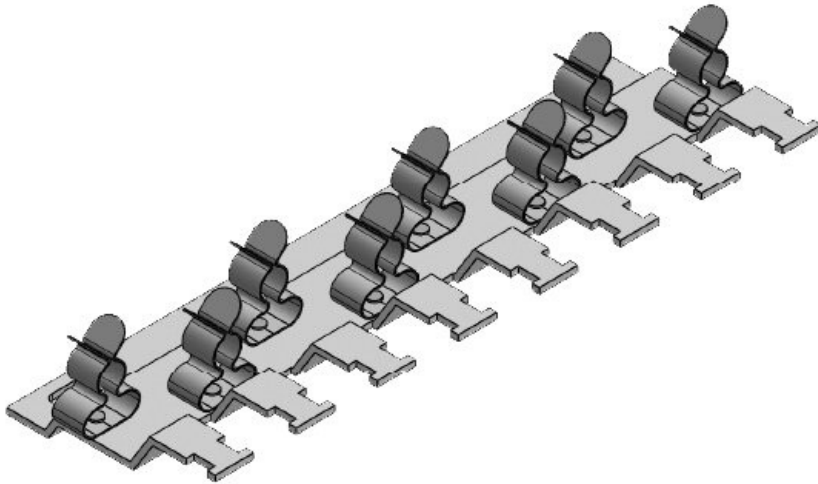
Part No.	38072.002	Strain relief function	Yes
EAN	4251269318	Width	54,1 mm
	030	Height	14,2 mm
Package quantity	1	Mounting height	14,2 mm
Shield clamp type	MSKL	Hole size	M4
For no. of shield clamps	5	No. of screw holes	2
For max. no. of cables	5	Diam. of screw holes	4,2 mm
Length	94 mm		

RLFZ-M (x6)

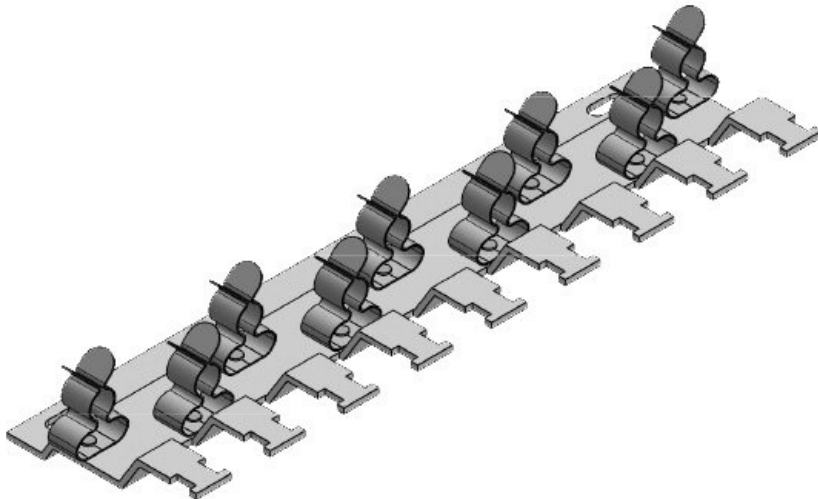
Part No.	38073.002	Strain relief function	Yes
EAN	4251269318	Width	54,1 mm
	047	Height	14,2 mm
Package quantity	1	Mounting height	14,2 mm
Shield clamp type	MSKL	Hole size	M4
For no. of shield clamps	6	No. of screw holes	2
For max. no. of cables	6	Diam. of screw holes	4,2 mm
Length	115 mm		

RLFZ-M (x7)

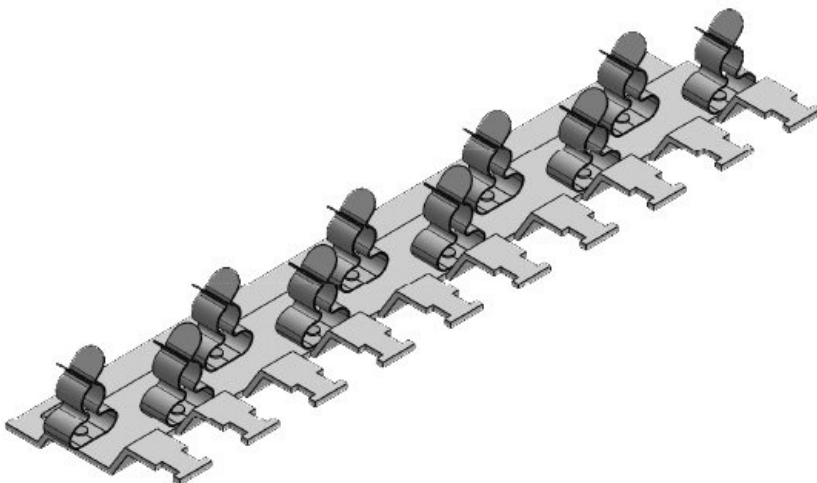
Part No.	38074.002	Strain relief function	Yes
EAN	4251269318	Width	54,1 mm
	054	Height	14,2 mm
Package quantity	1	Mounting height	14,2 mm
Shield clamp type	MSKL	Hole size	M4
For no. of shield clamps	7	No. of screw holes	2
For max. no. of cables	7	Diam. of screw holes	4,2 mm
Length	136 mm		

RLFZ-M (x8)

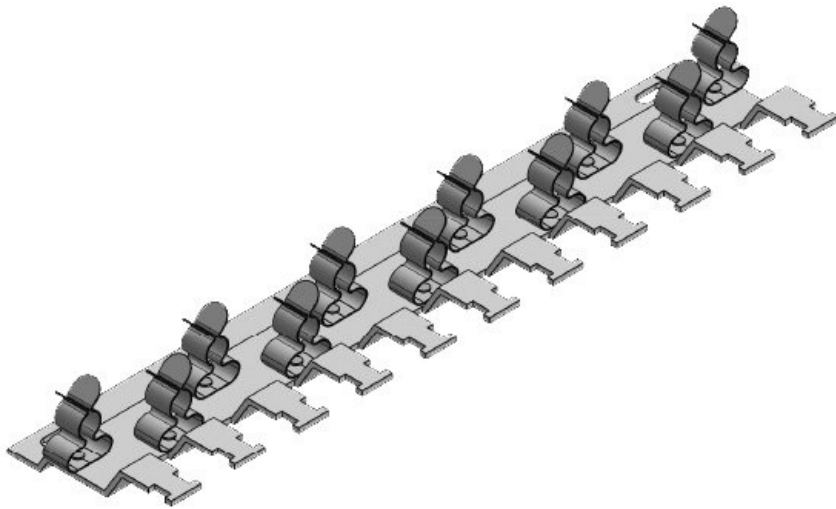
Part No.	38075.002	Strain relief function	Yes
EAN	4251269318061	Width	54,1 mm
Package quantity	1	Height	14,2 mm
Shield clamp type	MSKL	Mounting height	14,2 mm
For no. of shield clamps	8	Hole size	M4
For max. no. of cables	8	No. of screw holes	2
Length	157 mm	Diam. of screw holes	4,2 mm

RLFZ-M (x9)

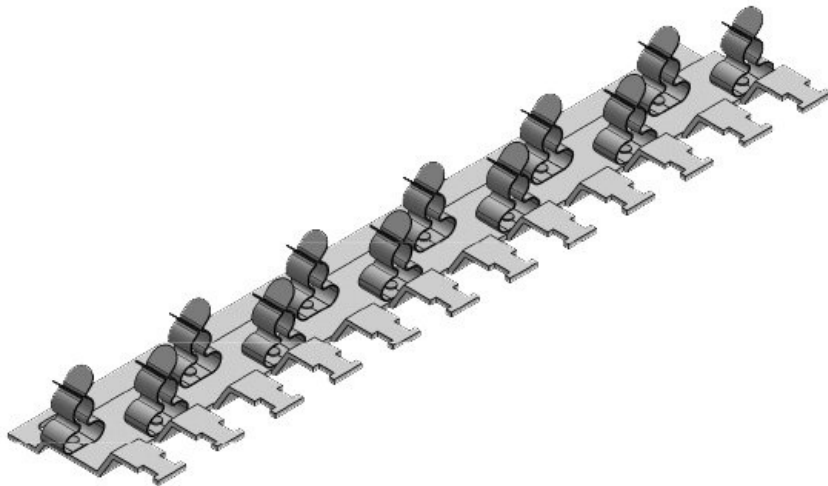
Part No.	38076.002	Strain relief function	Yes
EAN	4251269318078	Width	54,1 mm
Package quantity	1	Height	14,2 mm
Shield clamp type	MSKL	Mounting height	14,2 mm
For no. of shield clamps	9	Hole size	M4
For max. no. of cables	9	No. of screw holes	2
Length	178 mm	Diam. of screw holes	4,2 mm

RLFZ-M (x10)

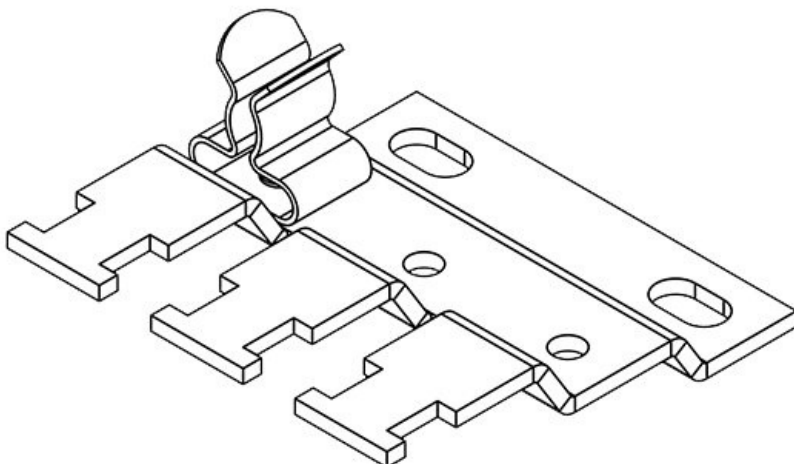
Part No.	38077.002	Strain relief function	Yes
EAN	4251269318085	Width	54,1 mm
Package quantity	1	Height	14,2 mm
Shield clamp type	MSKL	Mounting height	14,2 mm
For no. of shield clamps	10	Hole size	M4
For max. no. of cables	10	No. of screw holes	2
Length	199 mm	Diam. of screw holes	4,2 mm

RLFZ-M (x11)

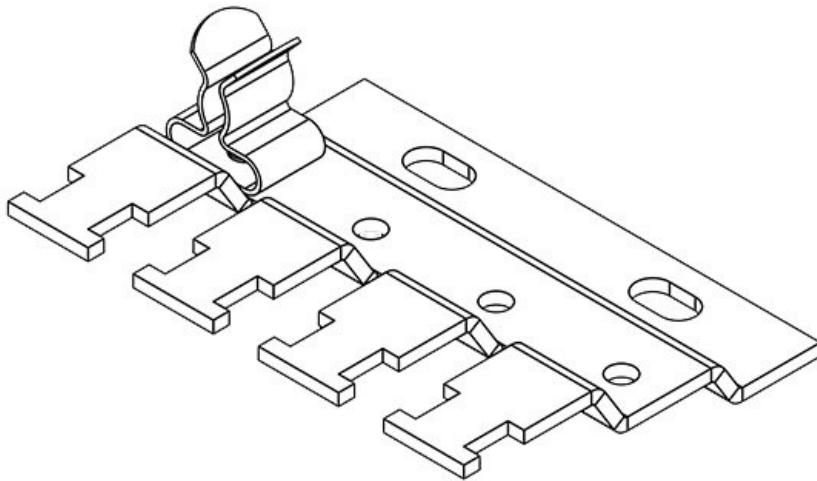
Part No.	38078.002	Strain relief function	Yes
EAN	4251269318	Width	54,1 mm
	092	Height	14,2 mm
Package quantity	1	Mounting height	14,2 mm
Shield clamp type	MSKL	Hole size	M4
For no. of shield clamps	11	No. of screw holes	2
For max. no. of cables	11	Diam. of screw holes	4,2 mm
Length	220 mm		

RLFZ-M (x12)

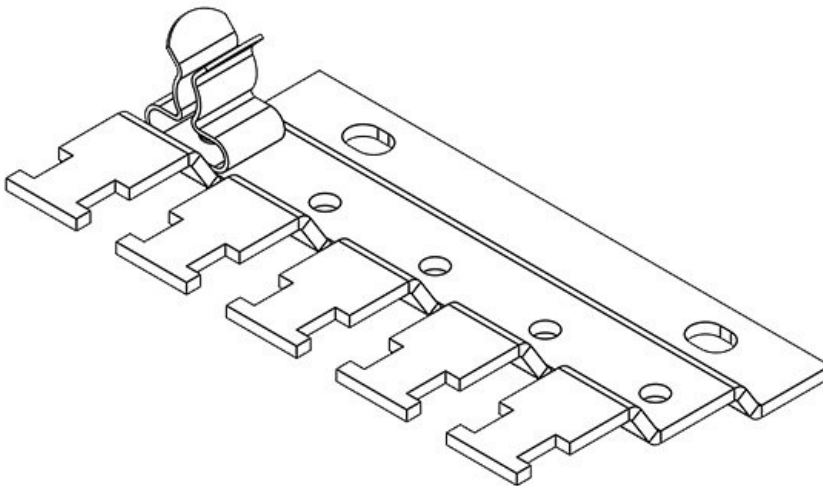
Part No.	38079.002	Strain relief function	Yes
EAN	4251269318	Width	54,1 mm
	108	Height	14,2 mm
Package quantity	1	Mounting height	14,2 mm
Shield clamp type	MSKL	Hole size	M4
For no. of shield clamps	12	No. of screw holes	2
For max. no. of cables	12	Diam. of screw holes	4,2 mm
Length	241 mm		

RLFZ (x3)

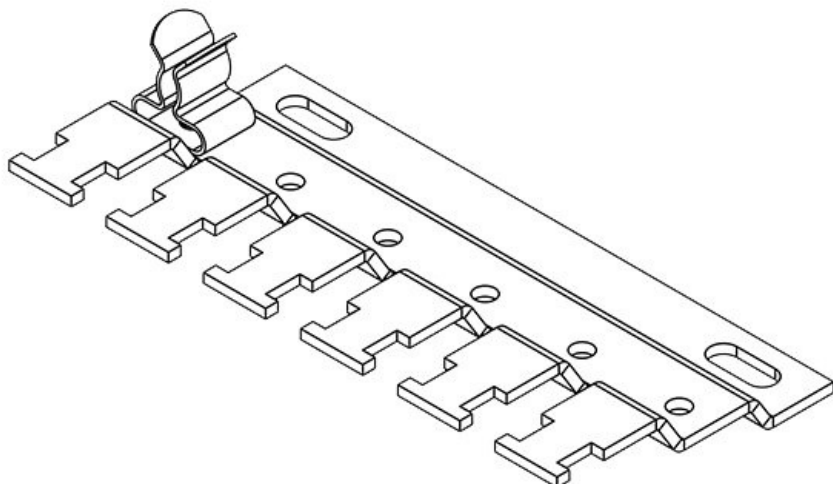
Part No.	38005	Strain relief function	Yes
EAN	4251269305	Width	44,4 mm
	757	Height	10,5 mm
Package quantity	1	Mounting height	10,5 mm
Shield clamp type	SKL	Hole size	M4
For no. of shield clamps	3	No. of screw holes	2
For max. no. of cables	3	Diam. of screw holes	4,2 mm
Length	41,2 mm		

RLFZ (x4)

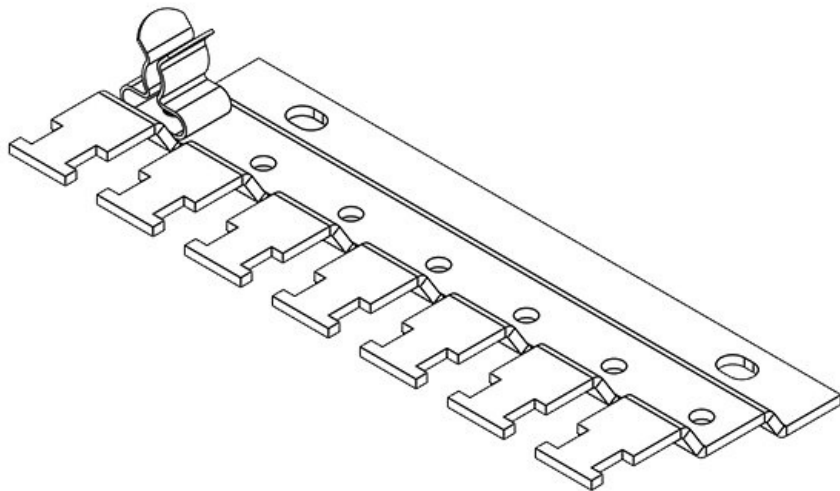
Part No.	38010	Strain relief function	Yes
EAN	4251269305	Width	44,4 mm
	764	Height	10,5 mm
Package quantity	1	Mounting height	10,5 mm
Shield clamp type	SKL	Hole size	M4
For no. of shield clamps	4	No. of screw holes	2
For max. no. of cables	4	Diam. of screw holes	4,2 mm
Length	56,8 mm		

RLFZ (x5)

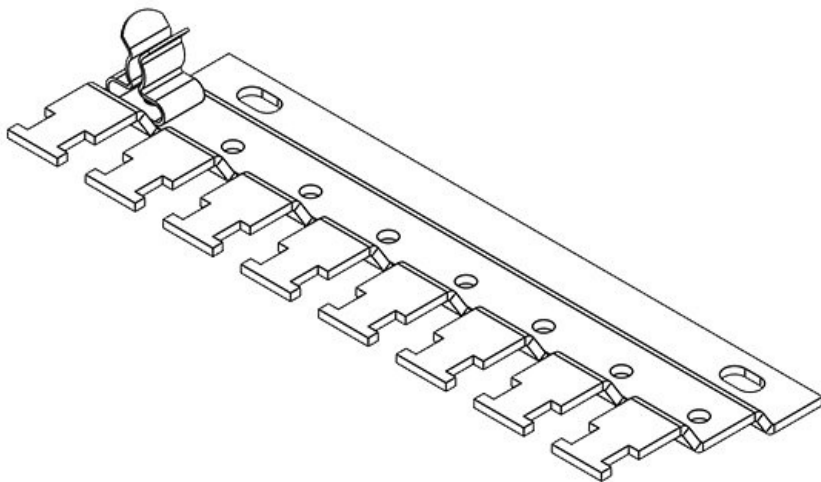
Part No.	38015	Strain relief function	Yes
EAN	4251269305	Width	44,4 mm
	771	Height	10,5 mm
Package quantity	1	Mounting height	10,5 mm
Shield clamp type	SKL	Hole size	M4
For no. of shield clamps	5	No. of screw holes	2
For max. no. of cables	5	Diam. of screw holes	4,2 mm
Length	72,4 mm		

RLFZ (x6)

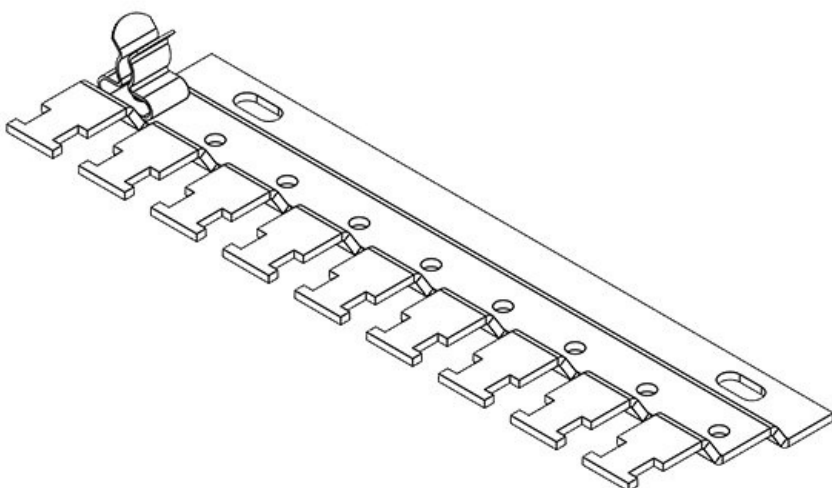
Part No.	38020	Strain relief function	Yes
EAN	4251269305	Width	44,4 mm
	788	Height	10,5 mm
Package quantity	1	Mounting height	10,5 mm
Shield clamp type	SKL	Hole size	M4
For no. of shield clamps	6	No. of screw holes	2
For max. no. of cables	6	Diam. of screw holes	4,2 mm
Length	88 mm		

RLFZ (x7)

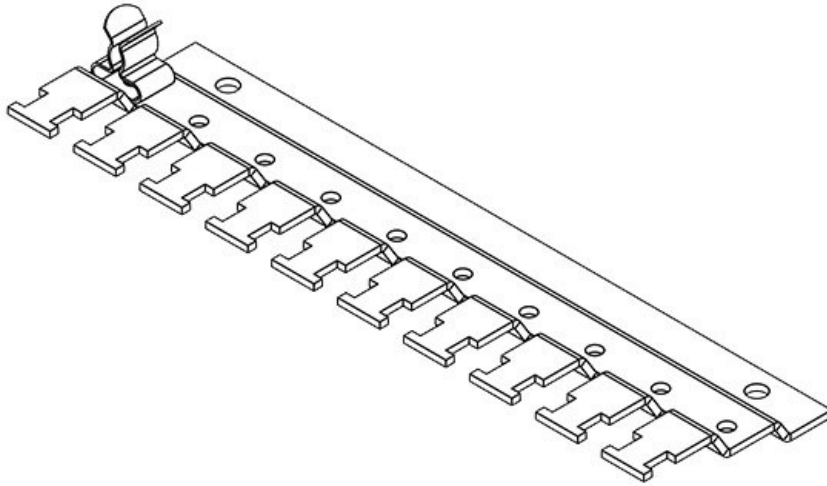
Part No.	38025	Strain relief function	Yes
EAN	4251269305	Width	44,4 mm
	795	Height	10,5 mm
Package quantity	1	Mounting height	10,5 mm
Shield clamp type	SKL	Hole size	M4
For no. of shield clamps	7	No. of screw holes	2
For max. no. of cables	7	Diam. of screw holes	4,2 mm
Length	103,6 mm		

RLFZ (x8)

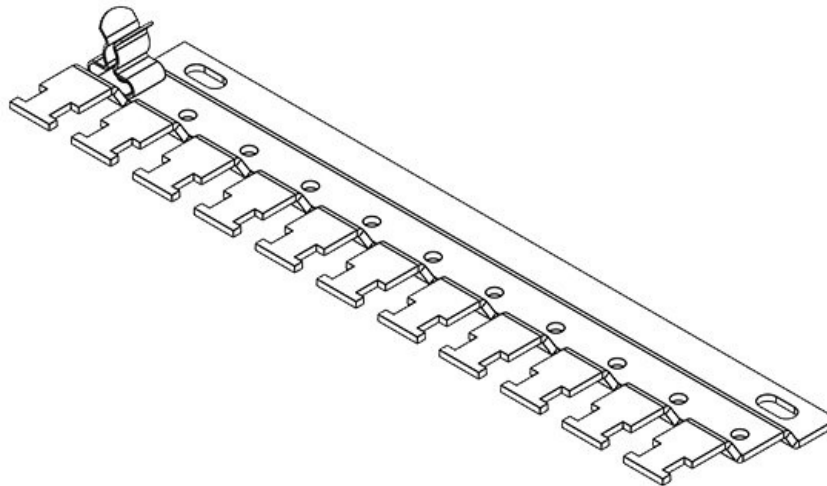
Part No.	38030	Strain relief function	Yes
EAN	4251269305	Width	44,4 mm
	801	Height	10,5 mm
Package quantity	1	Mounting height	10,5 mm
Shield clamp type	SKL	Hole size	M4
For no. of shield clamps	8	No. of screw holes	2
For max. no. of cables	8	Diam. of screw holes	4,2 mm
Length	119,2 mm		

RLFZ (x9)

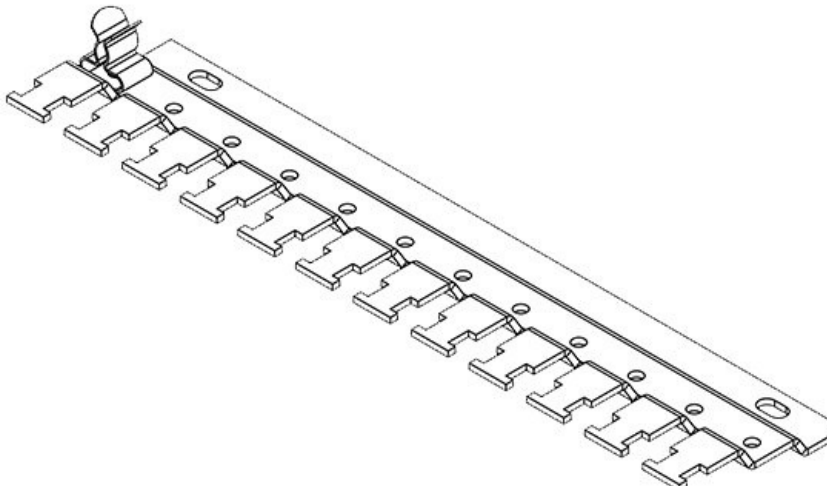
Part No.	38035	Strain relief function	Yes
EAN	4251269305	Width	44,4 mm
	818	Height	10,5 mm
Package quantity	1	Mounting height	10,5 mm
Shield clamp type	SKL	Hole size	M4
For no. of shield clamps	9	No. of screw holes	2
For max. no. of cables	9	Diam. of screw holes	4,2 mm
Length	134,8 mm		

RLFZ (x10)

Part No.	38040	Strain relief function	Yes
EAN	4251269305	Width	44,4 mm
	825	Height	10,5 mm
Package quantity	1	Mounting height	10,5 mm
Shield clamp type	SKL	Hole size	M4
For no. of shield clamps	10	No. of screw holes	2
For max. no. of cables	10	Diam. of screw holes	4,2 mm
Length	150,4 mm		

RLFZ (x11)

Part No.	38045	Strain relief function	Yes
EAN	4251269305	Width	44,4 mm
	832	Height	10,5 mm
Package quantity	1	Mounting height	10,5 mm
Shield clamp type	SKL	Hole size	M4
For no. of shield clamps	11	No. of screw holes	2
For max. no. of cables	11	Diam. of screw holes	4,2 mm
Length	166 mm		

RLFZ (x12)

Part No.	38050	Strain relief function	Yes
EAN	4251269305	Width	44,4 mm
	849	Height	10,5 mm
Package quantity	1	Mounting height	10,5 mm
Shield clamp type	SKL	Hole size	M4
For no. of shield clamps	12	No. of screw holes	2
For max. no. of cables	12	Diam. of screw holes	4,2 mm
Length	181,6 mm		

